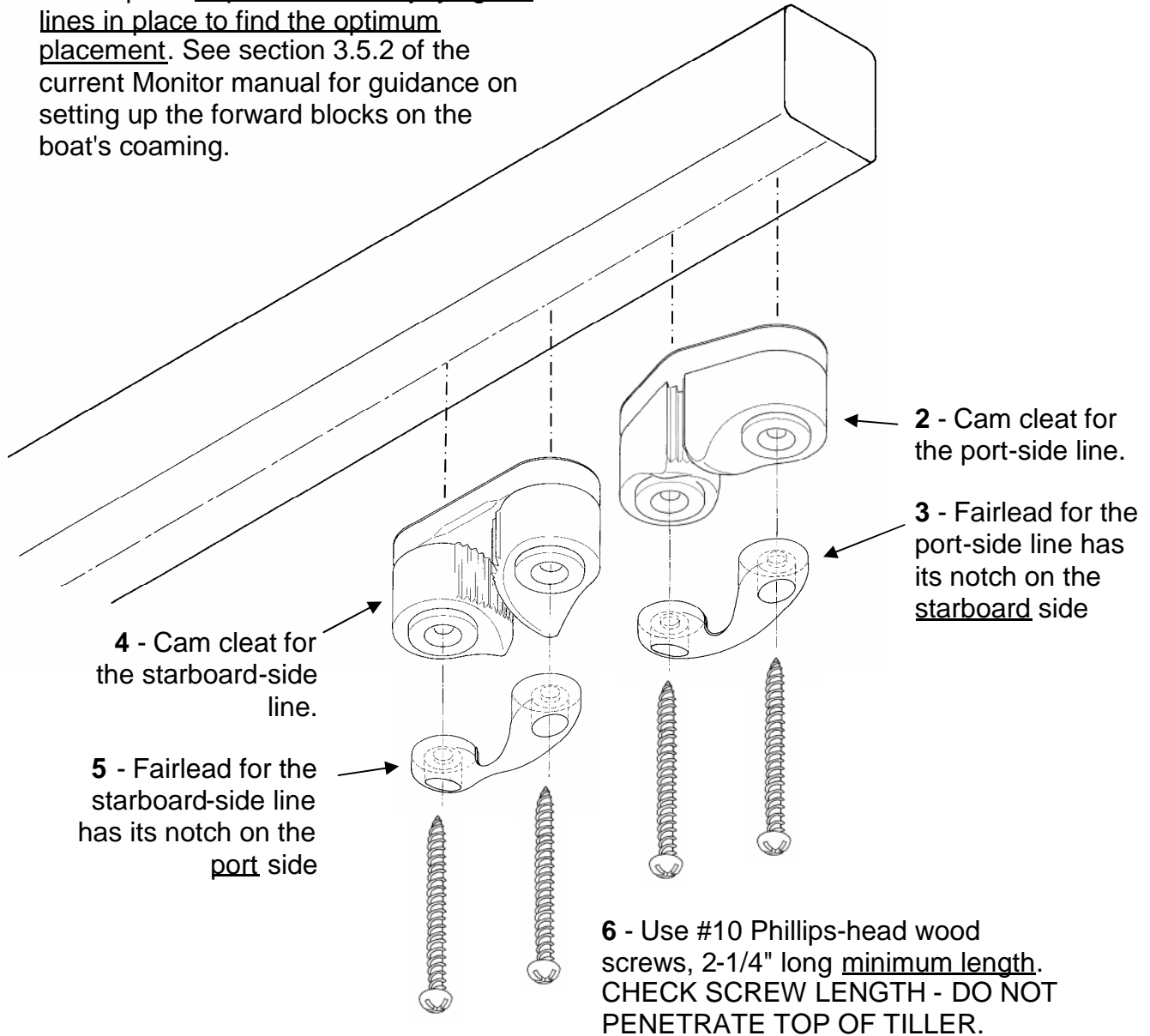


Monitor Tiller Adapter - 2010

1 - Install the tiller operating line cleats approximately 30" -36" forward of the rudder post. Experiment first by tying the lines in place to find the optimum placement. See section 3.5.2 of the current Monitor manual for guidance on setting up the forward blocks on the boat's coaming.



7 - When windvane steering, drape the free ends of the lines over the tiller.

