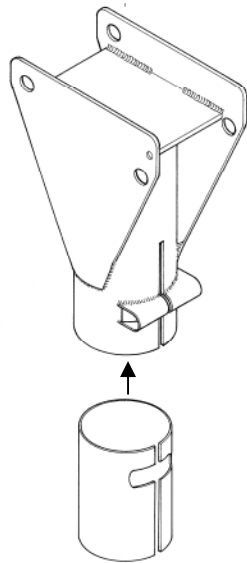
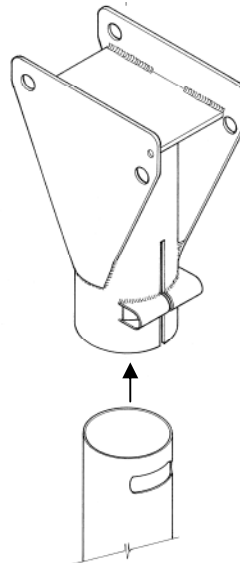


FITTING A 1-1/2" DIAMETER SAFETY TUBE INTO AN OLD-STYLE HINGE BUILT FOR 1-5/8" SAFETY TUBES

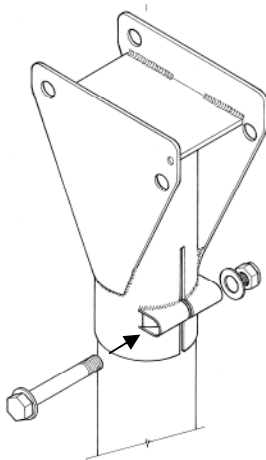
IMPORTANT! Using the adapter shim and clamp bolt without drilling for a cross-bolt will most likely result in a bent bolt and a sloppy fit which can allow the safety tube-paddle assembly to shift position. Use the clamp bolt to hold the adapter shim in place and add a cross-bolt as shown for a rigid assembly.



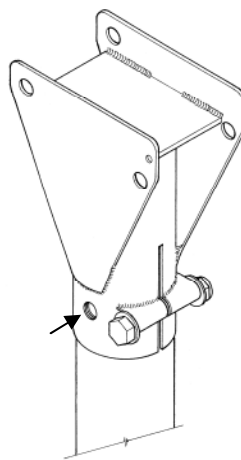
1 - Insert adapter shim into hinge tube.



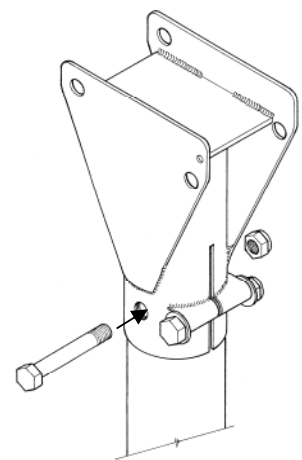
2- Insert safety tube with paddle attached into adapter shim inside hinge tube.



3 - Install 5/16" clamp bolt with washer, put washer and lock-nut on bolt, align paddle with hinge, and snug down nut - do not tighten completely.



4 - Drill 21/64" hole clear through hinge tube, adapter shim and safety tube. right through both sides - if possible, use a drill press. NOTE - Drill your reserve safety tube at this time also.



5 - Install 5/16" cross-bolt with lock-nut - washers not necessary. Tighten both nuts.