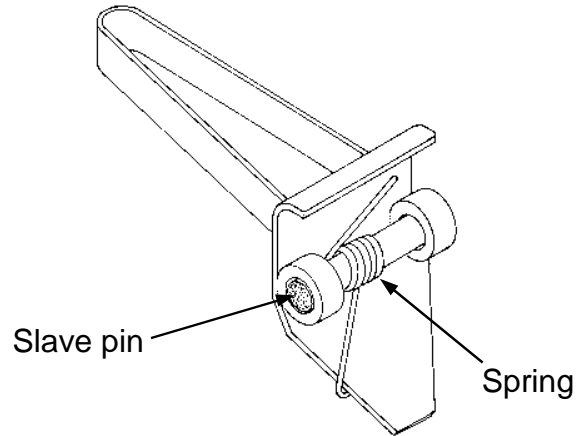


OLD-STYLE LATCH SPRING INSTALLATION

- 1 - Make a 'slave pin' out of an old bolt or a piece of metal rod. It should be just as long as the outside width of the two welded rings on the latch.
- 2 - Fit the spring inside the latch, using the slave pin. Bend the bottom of the spring around the bottom of the latch as shown.



- 3 - Tuck the upper end of the spring under the horizontal plate at the top of the hinge, then push the latch into position. Drive out the slave pin with a #76 hinge pin, and lock the hinge pin in place with a cotter pin or cotter ring.

